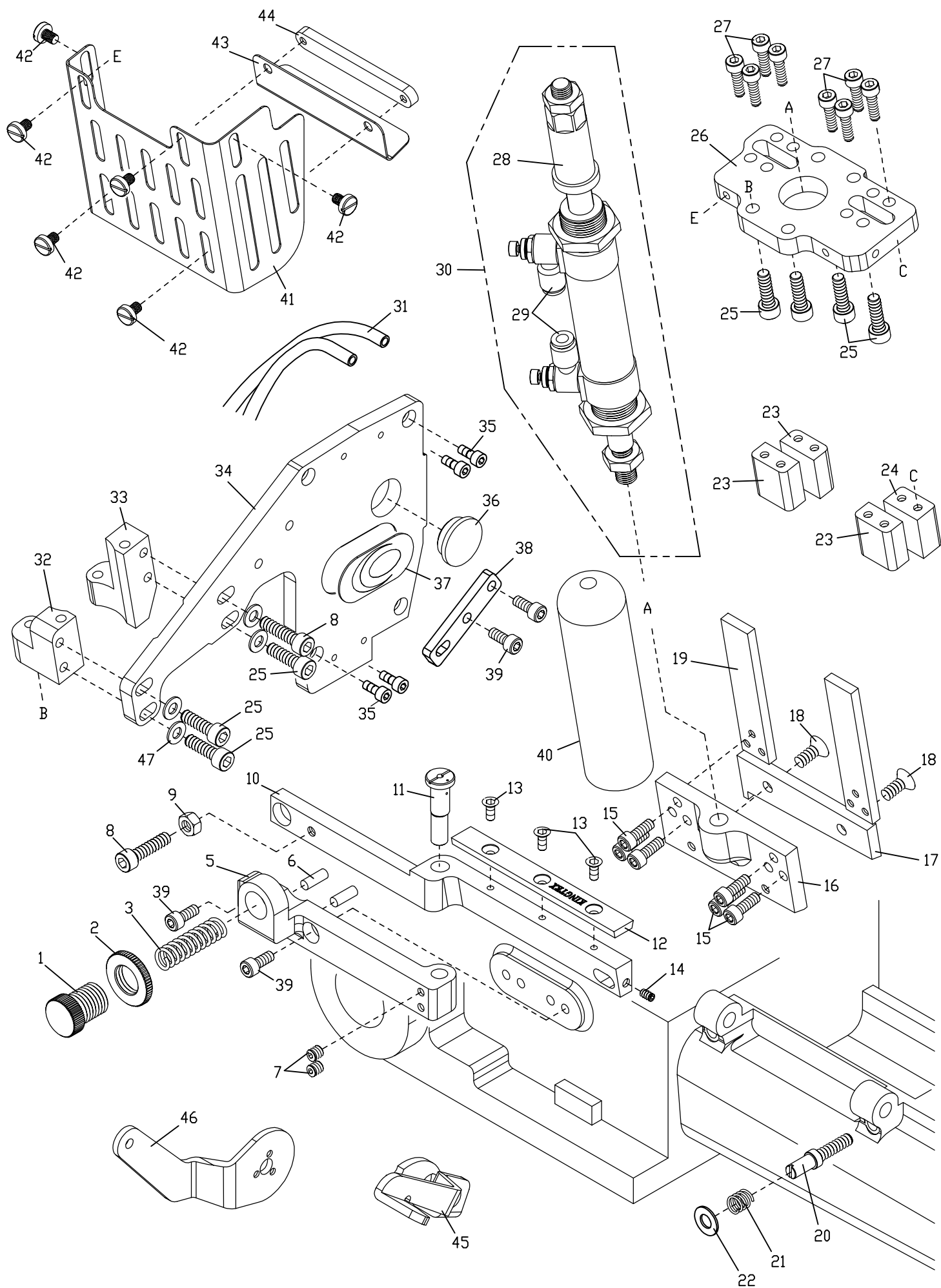


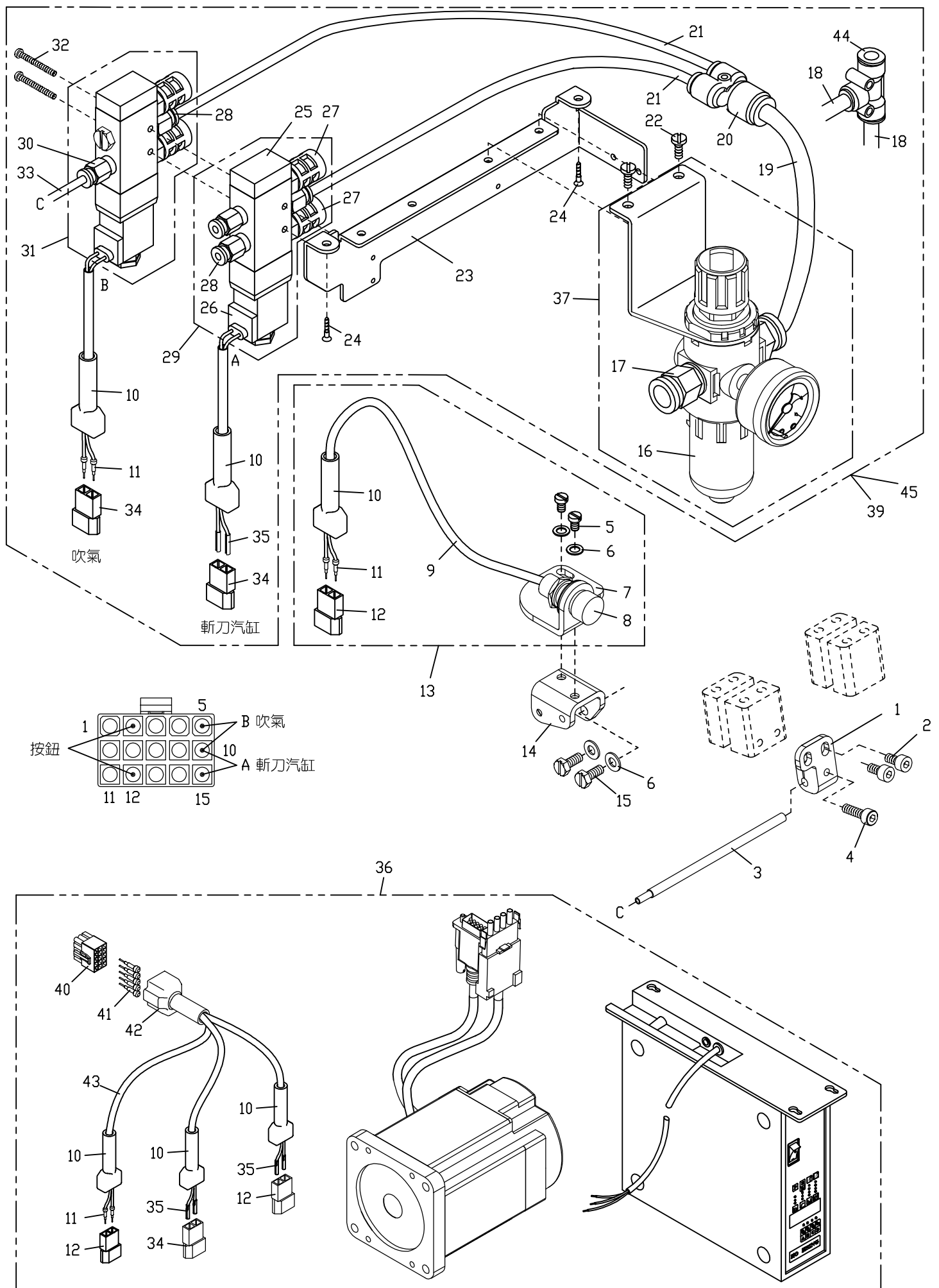
# 1. TCB41 氣動式切帶裝置 Pneumatic Type Tape Cutting Device



# 1. TCB41 氣動式切帶裝置 Pneumatic Type Tape Cutting Device

序號 Ref.No.	物料編號 Parts No.	名稱 Description	單位用量 Amt.Req.
1	4TCB410101	調壓螺椿 Spring Regulator -----	1
2	4TC0010102	螺帽 Nut -----	1
3	4TCB410103	彈簧 Sping -----	1
4	-----	-----	-
5	4TCB410105	刀座 Knife Support -----	1
6	2200001133	銷 Pin -----	2
7	8MN05320600A	螺絲 Screw (M07-29 M5-0.8*6) -----	2
8	8MM06402510A	螺絲 Screw (UH07-12 M6-1*25) -----	2
9	8MA06400510A	螺帽 Nut (CT05-33 M6-1*5) -----	1
10	4TCB410110	下刀座 Lower Knife Support -----	1
11	4TCB410111	曲柄銷 Rod Pin -----	1
12	4TCB410112	下刀 Lower Knife -----	1
13	8MQ04281008A	螺絲 Screw (UT12A-04-05 M4-0.7*10) -----	3
14	8MN04280600A	螺絲 Screw (CT12-23 M4-0.7*6) -----	1
15	8MM05321409A	螺絲 Screw (CT0632 M5-0.8*14) -----	6
16	4TCB410116	上刀座 Upper Knife Support -----	1
17	4TCB4101171	上刀 Knife -----	1
18	8MQ06401412A	螺絲 Screw (TCB41-01-18 M6-1*14) -----	2
19	4TCB410119	滑塊 Slide Block -----	2
20	4TCB410120	螺椿 Stud -----	1
21	4TCB410121	彈簧 Sping -----	1
22	2270000716	墊圈 Washer -----	1
23	4TCB410123	活動塊 Movable Block -----	3
24	4TCB410124	活動塊 Movable Block -----	1
25	8MM06402010A	螺絲 Screw (SH04-44 M6-1*20) -----	7
26	4TCB410126	氣缸座 Cylinder Holder -----	1
27	8MM05321609A	螺絲 Screw (RP101-11 M5-0.8*16) -----	8
28	4TCB410128	氣壓缸 Cylinder -----	1
29	4UTB000305	節流閥 Speed Controller -----	2
30	4TCB41A0130	氣壓缸組 Cyliner Asm-----	1
31	4TCB410131	空氣管 Air Tube ( φ 6 長1000) -----	2
32	4TCB410132	承座 Plunger -----	1
33	4TCB410133	承座 Plunger -----	1
34	4TCB4101342	支架 Knife Holder Bracket -----	1
35	8MM05321209A	螺絲 Screw (FT05-24 M5-0.8*12) -----	4
36	23100001161	孔塞 Plug -----	1
37	66488-1	銘板 Plate -----	1
38	4TCB410138	固定板 Plug -----	1
39	8MM06401210A	螺絲 Screw (FT1103 M6-1*12) -----	4
40	4TCB410140	護蓋 Cover -----	1
41	4TCB410141	護蓋 Cover -----	1
42	8MB05320710A	螺絲 Screw (CT03-02-17 M5-0.8*7) -----	6
43	4TCB410143	導模 Tape Guide -----	1
44	4TCB410144	支架 Knife Holder Bracket -----	1
45	4TCB410145	揚昇手臂 Lifter Arm -----	1
46	4TCB410146	拉柄 Clutch Driving Lever -----	1
47	90PW060	墊圈 Washer (NT67-TTS11)-----	4

## 2. TCB41 / TCB42 空壓組件 Compressed Air Components



## 2. TCB41 / TCB42 空壓組件 Compressed Air Components

序號 Ref.No.	物料編號 Parts No.	名稱 Description	單位用量 Amt.Req.
1	4TCB410201	支架 Knife Holder Bracket -----	1
2	8MM04280807A	螺絲 Screw (M01-24 M4-0.7*8) -----	2
3	4TCB410203	吹氣管 Blow Tube -----	1
4	8MM04281407A	螺絲 Screw (F10-03 M4-0.7*14) -----	1
5	8MB04280807K	螺絲 Screw (CTS0215 M4-0.7*8) -----	2
6	90PW040	墊圈 Washer -----	4
7	4TCB410207	支架 Knife Holder Bracket -----	1
8	4TC012030	電控開關 Push Button Switch -----	1
9	4PFE040106	電線 Cable 1150L -----	1
10	4AL013013	2PIN連接器套頭 Power Cord Cap -----	6
11	4PFE040108	2 PIN 端子(公) Power Cord -----	6
12	4AL013017	2PIN母扣連接器 Power Cord -----	3
13	4TCB41A0213	電控開關組 Push Button Switch Asm. -----	1
14	4TB04T0105	支架 Holder -----	1
15	8MK04281007A	螺絲 Screw (F02-17 M4-0.7*10) -----	2
16	4UTB0004321	調壓濾水閥 Regulator -----	1
17	4UTB010456	PT 1/4"- $\phi$ 8mm 空氣管接頭 Connector -----	2
*18	91060101004	空氣管( $\phi$ 8 長 60 ) Air Tube -----	2
19	91060101004	空氣管( $\phi$ 8 長 60 ) Air Tube -----	1
20	4TCB410220	Y 型接頭( $\phi$ 8- $\phi$ 6*2 ) Y Connector -----	1
21	4AL013010	空氣管( $\phi$ 6 長 360 ) Air Tube -----	2
22	8MB05320710A	螺絲 Screw (CT03-02-17 M5-0.8*7) -----	2
23	4AL0130241	支架 Knife Holder Bracket -----	1
24	8WD45001900A	木螺絲 Wood Screw (NT67-AL013-15 -----	2
25	4PA0000315	換向閥 Electromagnetic Valve -----	2
26	4PA0000314	線圈 Solenoid (DC 24V) -----	2
27	4PA0000310	消音器 Silencer -----	4
28	4UTB000312	PT 1/8"- $\phi$ 6mm 空氣管接頭 Connector -----	4
29	4TCB41A0229	換向閥組 Electromagnetic Valve Asm. -----	1
30	4PA0000309	RT 1/8"- $\phi$ 4mm 空氣管接頭 Connector -----	1
31	4TCB41A0231	換向閥組 Electromagnetic Valve Asm. -----	1
32	8MC03204005A	螺絲 Screw (TC012-03 M3-0.5*40) -----	2
33	4TCB410228	空氣管 Air Tube ( $\phi$ 4 長 1000 ) -----	1
34	4PFE040107	2PIN公扣連接器 Power Cord -----	3
35	4AL013015	端子(母) Power Cord -----	6
36	-----	賀欣馬達控制箱組 Moter And Control Box Asm. ( i60-4-MT-220 ) -----	1
37	4UTB00A04582	調壓濾水閥組 Regulator Asm. -----	1
38	-----	-----	-
39	4TCB41A0239	空壓組件 Compressed Air Componets -----	1
40	4AL013016	15PIN連接器(公) Power Cord -----	1
41	4AL013014	端子(公) Power Cord -----	5
42	4AL013012	15PIN連接器套頭 Power Cord Cap -----	1
43	4TC012032	電線 Cable 350L -----	3
*44	4TCB410244	T 型接頭( $\phi$ 8*3 ) T Connector -----	1
*45	4TCB41A0245	空壓組件 Compressed Air Componets -----	1

\* : TCB41 + UT 系列用